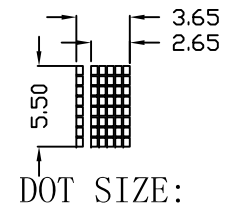
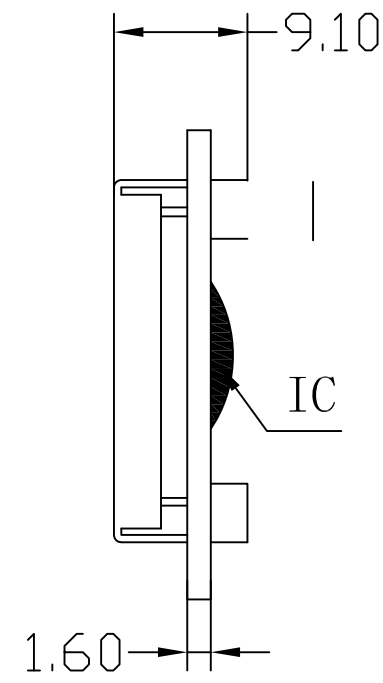
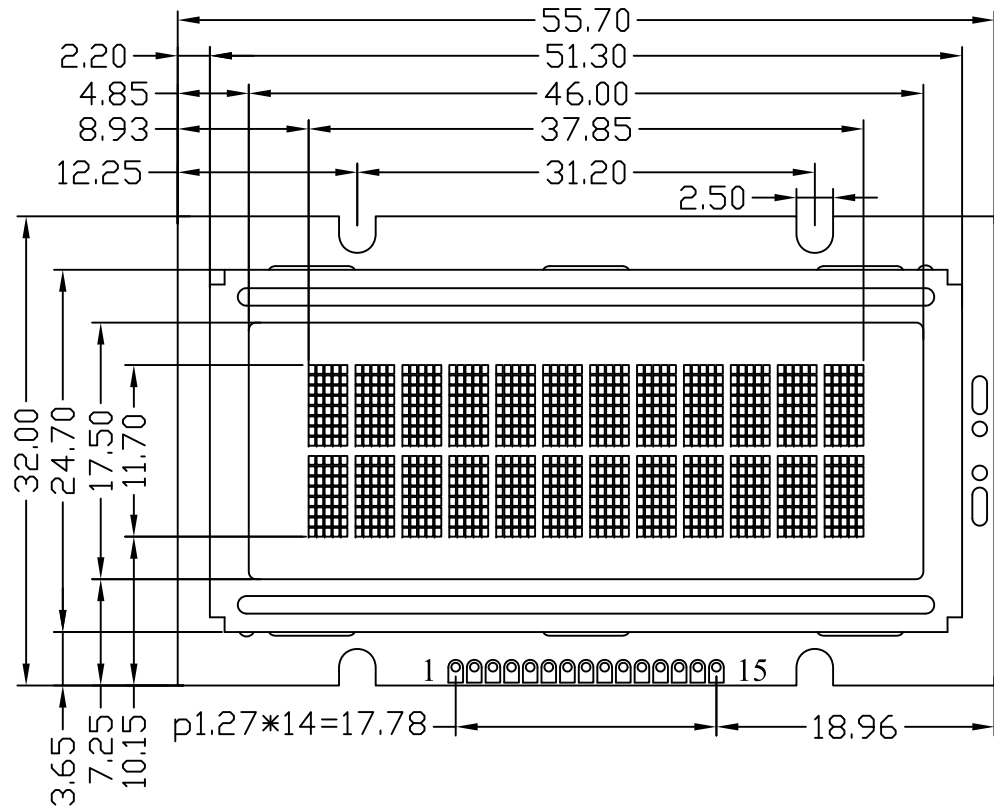


REV:	DESCRIPTION	BY	DATE
V1.0	New issue	SD-05	



NO	Symbol
1	VSS
2	VDD
3	V0
4	RS
5	RW
6	E
7	DB0
8	DB1
9	DB2
10	DB3
11	DB4
12	DB5
13	DB6
14	DB7
15	A

- NOTES :
- |   |                                  |
|---|----------------------------------|
| 1. LCD TYPE:  | STN Y-G, Positive Transmissive   |
| 2. OPERATING VOLTAGE:   | VDD=5.0V, Vop=4.70V              |
| 3. VIEWING DIRECTION:   | 6 O'CLOCK                        |
| 4. DRIVE METHOD:  | 1/16 Duty, 1/5 Bias              |
| 5. OPERATING TEMP:  | -20°C TO +70°C                   |
| 6. STORAGE TEMP:  | -30°C TO +80°C                   |
| 7. CONNECTOR TAPE:  | Zebra                            |
| 8. DRIVER IC:   | AIP31066 or Equivalent           |
| 9. BACKLIGHT:   | 2 PCS LED Yellow-Green If=15x2mA |
| 10. ALL sub-parts and materials of the parts, must comply with the RoHS instructions of EU. |                                  |

**UTECH** UTECH DISPLAY TECHNOLOGY CO., LTD.

TOLERANCES:±0.2 ANGLES:±0.1°	UNIT:MM	MODEL NO: UDCB1202-01	www.utechdisplay.com		
	DATE	DESIGENED	CHECKED	APPROVED	REV: 1.0
	2017-10-29	UD-05		UD-02	PAGE: 1-1