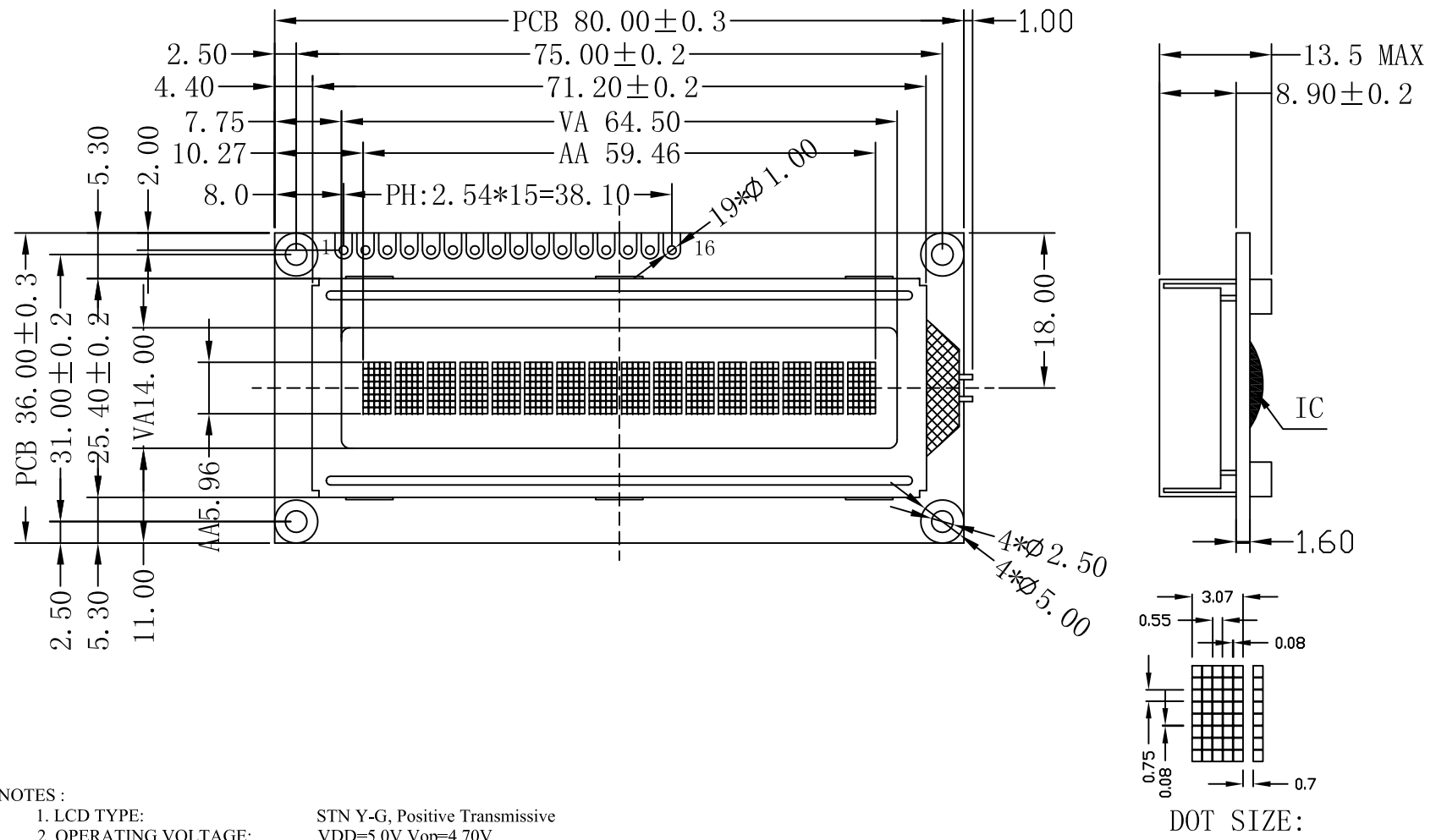


REV:	DESCRIPTION	BY	DATE
V1.0	New issue	SD-05	



NO	Symbol
1	VSS
2	VDD
3	V0
4	RS
5	RW
6	E
7	DB0
8	DB1
9	DB2
10	DB3
11	DB4
12	DB5
13	DB6
14	DB7
15	A
16	K

- NOTES :
- |   |   |
|---|---|
| 1. LCD TYPE:                                  | STN Y-G, Positive Transmissive                |
| 2. OPERATING VOLTAGE:                         | VDD=5.0V, Vop=4.70V                           |
| 3. VIEWING DIRECTION:                         | 6 O'CLOCK                                     |
| 4. DRIVE METHOD:                              | 1/16 Duty, 1/5 Bias                           |
| 5. OPERATING TEMP:                            | -20°C TO +70°C                                |
| 6. STORAGE TEMP:                              | -30°C TO +80°C                                |
| 7. CONNECTOR TAPE:                            | Zebra   |
| 8. DRIVER IC:                                 | AIP31066 or Equivalent                        |
| 9. BACKLIGHT:                                 | 1 PCS LED Yellow-Green VI=15mA                |
| 10. ALL sub-parts and materials of the parts, | must comply with the RoHS instructions of EU. |

**UTECH** UTECH DISPLAY TECHNOLOGY CO., LTD.

TOLERANCES:±0.2 ANGLES:±0.1°	UNIT:MM	MODEL NO: UDCB1601-01	www.utechdisplay.com		
	DATE	DESIGNED	CHECKED	APPROVED	REV: 1.0
	2017-04-20	UD-05		UD-02	PAGE: 1-1