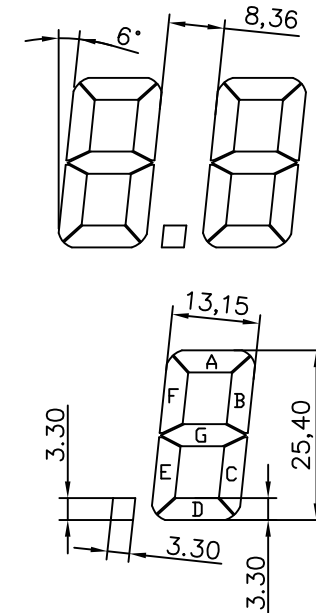
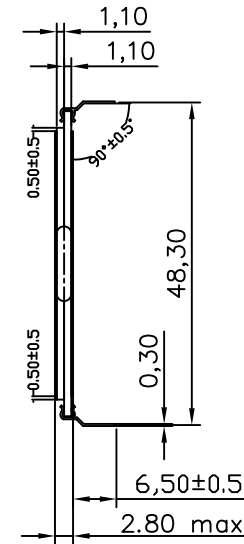
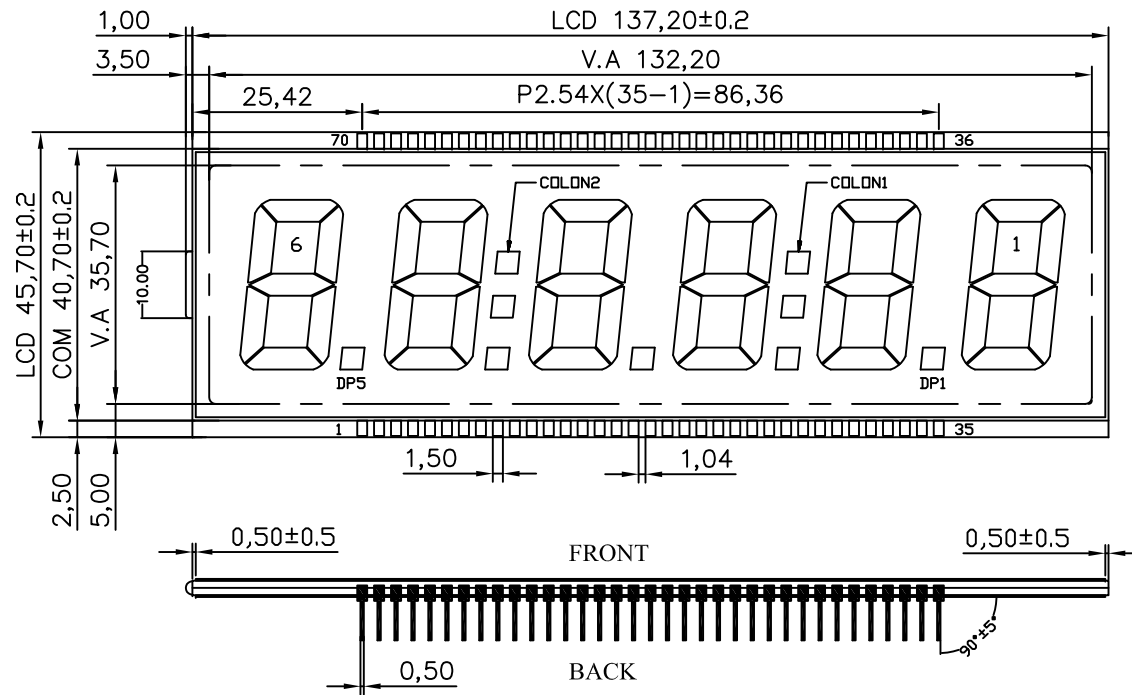


REV:	DESCRIPTION	BY	DATE
V1.0	New issue	SD-05	



PIN	1	2	3	4	5	6	7	8	9	10	11	12	13	14	15	16	17	18	19	20	21	22	23	24	25	26	27	28	29	30	31	32	33	34	35
BP	BP	6E	6D	6C	DP5	5E	5D	5C	DP4	4E	4D	/	/	/	/	4C	/	DP3	3E	3D	/	/	/	3C	/	DP2	2E	2D	/	/	2C	DP1	1E	1D	1C
PIN	36	37	38	39	40	41	42	43	44	45	46	47	48	49	50	51	52	53	54	55	56	57	58	59	60	61	62	63	64	65	66	67	68	69	70
BP	1B	1A	1F	1G	2B	2A	2F	2G	COLON1	/	3B	/	/	/	3A	3F	3G	/	/	4B	/	/	4A	4F	4G	COLON2	5B	5A	5F	5G	6B	6A	6F	6G	BP

NOTES :

- LCD TYPE: TN(Gray) Positive Transflective
- OPERATING VOLTAGE: $V_{op}=5.0V$
- VIEWING DIRECTION: 6 O'CLOCK
- DRIVE METHOD: Static
- OPERATING TEMP: $-20^{\circ}C$ TO $+70^{\circ}C$
- STORAGE TEMP: $-30^{\circ}C$ TO $+80^{\circ}C$
- CONNECTOR TAPE: PIN
- ALL sub-parts and materials of the parts, must comply with the RoHS instructions of EU.

UTECH UTECH DISPLAY TECHNOLOGY CO., LTD.

TOLERANCES: ± 0.2 ANGLES: $\pm 0.1^{\circ}$	UNIT: MM	MODEL NO: UDS-0601		www.utechdisplay.com	
	DATE	DESIGNED	CHECKED	APPROVED	REV: 1.0
	2016-10-29	UD-05		UD-02	PAGE: 1-1