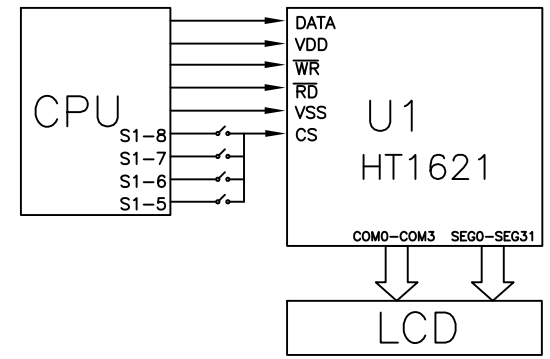
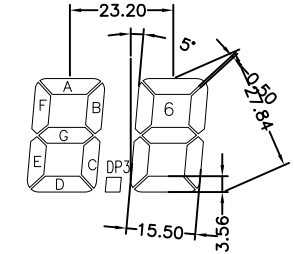
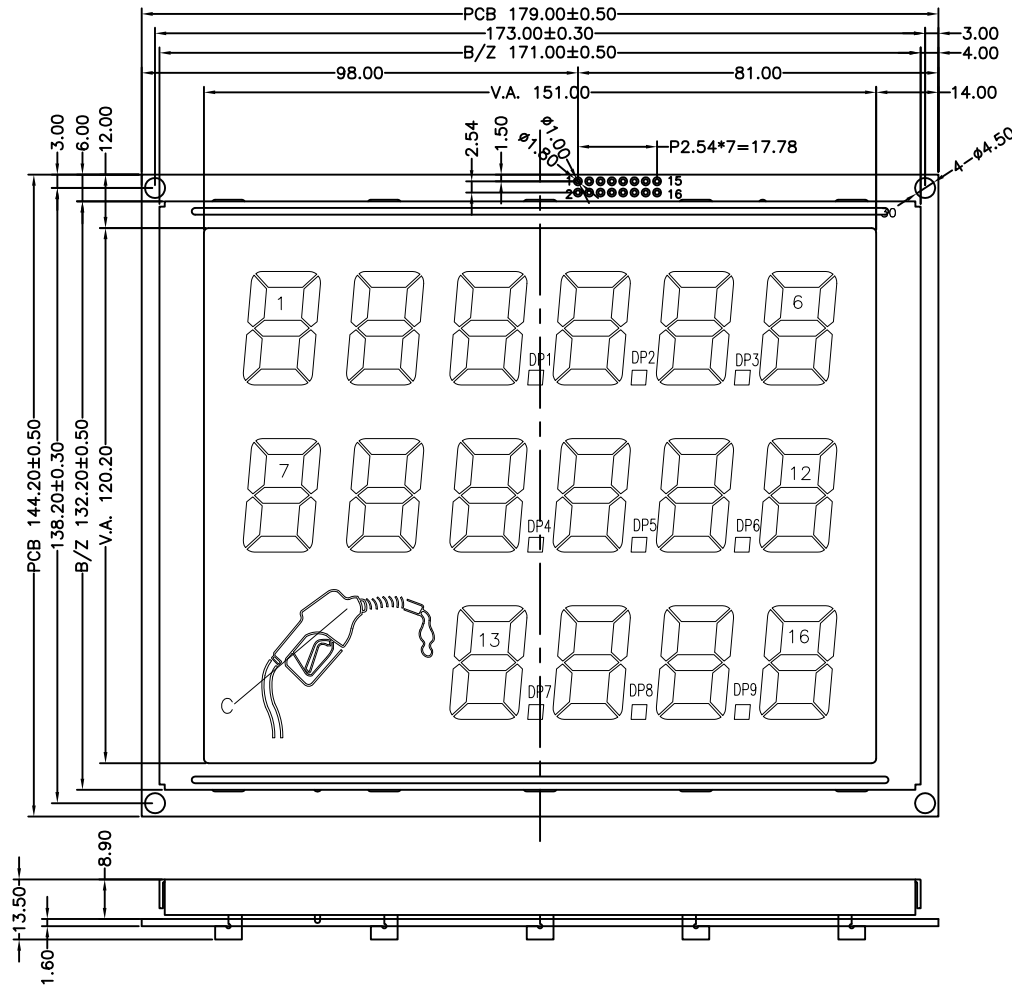


REV:	DESCRIPTION	BY	DATE
V1.0	New issue	SD-05	



接口PIN

PIN	1	2	3	4	5	6	7	8
NAME	A	A	A	DATA	VDD	VDD	WR	RD
PIN	9	10	11	12	13	14	15	16
NAME	S1-8	K	S1-7	VSS	S1-6	VSS	S1-5	VSS

NOTES:

1. DISPLAY TYPE: HTN/POSITIVE/TRANSFLECTIVE RoHS
2. OPERATING VOLTAGE: Vdd=5.0V, Vlcd=5.0V
3. OPERATING TEMPERATURE: -25°C~+75°C
4. STORAGE TEMPERATURE: -30°C~+80°C
5. DRIVE MODE: 1/4D, 1/3B
6. VIEWING DIRECTION: 6:00
7. DRIVER IC: HT1621B
8. CONNECTOR: COB (LED/ORANGE/BLUE/YELLOWWISH)

UTECH UTECH DISPLAY TECHNOLOGY CO., LTD.

TOLERANCES:±0.2 ANGLES:±0.1°	UNIT:MM	MODEL NO: UDS-M1601	www.utechdisplay.com		
	DATE	DESIGNED	CHECKED	APPROVED	REV: 1.0
	2016-03-29	UD-05		UD-02	PAGE: 1-3

D

D

C

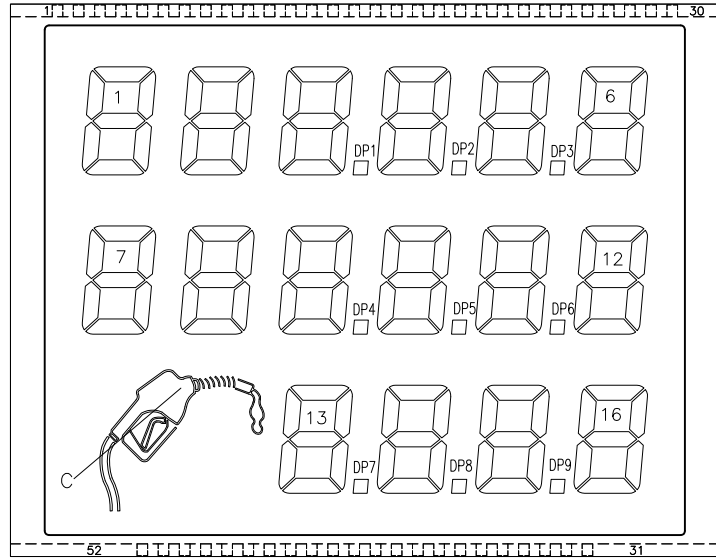
C

B

B

A

A

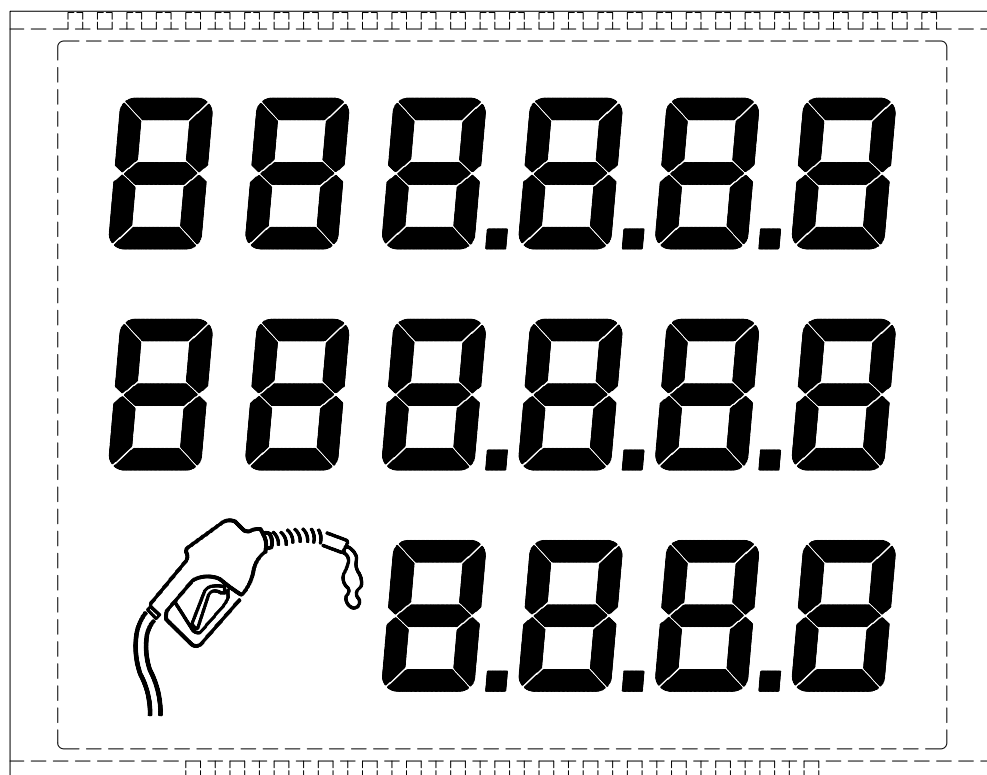


PIN	1	2	3	4	5	6	7	8	9	10	11	12	13	14	15	16	17	18	19	20	21	22	23	24	25	26
	COM3	COM2	COM1	COM0	SEG0	SEG1	SEG2	SEG3	SEG4	SEG5	SEG6	SEG7	COM3	COM2	COM1	COM0	SEG8	SEG9	SEG10	SEG11	SEG12	SEG13	SEG14	SEG15	SEG16	SEG17
COM0				COM0	1F	1A	2F	2A	3F	3A	4F	4A			COM0	5F	5A	6F	6A	10F	10A	11F	11A	12F	12A	
COM1			COM1		1G	1B	2G	2B	3G	3B	4G	4B			COM1	5G	5B	6G	6B	10G	10B	11G	11B	12G	12B	
COM2		COM2			1E	1C	2E	2C	3E	3C	4E	4C		COM2		5E	5C	6E	6C	10E	10C	11E	11C	12E	12C	
COM3	COM3				1D		2D		3D	DP1	4D	DP2	COM3			5D	DP3	6D		10D	DP5	11D	DP6	12D		

PIN	27	28	29	30	31	32	33	34	35	36	37	38	39	40	41	42	43	44	45	46	47	48	49	50	51	52
	COM0	COM1	COM2	COM3	COM0	COM1	COM2	COM3	SEG18	SEG19	SEG20	SEG21	SEG22	SEG23	SEG24	SEG25	SEG26	SEG27	SEG28	SEG29	SEG30	SEG31	COM3	COM2	COM1	COM0
COM0	COM0				COM0				16A	16F	15A	15F	14A	14F	13A	13F	9A	9F	8A	8F	7A	7F			COM0	
COM1		COM1				COM1			16B	16G	15B	15G	14B	14G	13B	13G	9B	9G	8B	8G	7B	7G			COM1	
COM2			COM2				COM2		16C	16E	15C	15E	14C	14E	13C	13E	9C	9E	8C	8E	7C	7E		COM2		
COM3				COM3				COM3			16D	DP9	15D	DP8	14D	DP7	13D	DP4	9D	C	8D		7D	COM3		

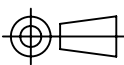
UTECH UTECH DISPLAY TECHNOLOGY CO., LTD.

TOLERANCES:±0.2 ANGLES:±0.1°	UNIT:MM	MODEL NO: UDS-M1601		www.utechdisplay.com	
	DATE	DESIGNED	CHECKED	APPROVED	REV: 1.0
	2016-03-29	UD-05		UD-02	PAGE: 2-3



1:1显示效果图

UTECH UTECH DISPLAY TECHNOLOGY CO., LTD.

TOLERANCES:±0.2 ANGLES:±0.1°	UNIT:MM	MODEL NO: UDS-M1601		www.utechdisplay.com	
	DATE	DESIGENED	CHECKED	APPROVED	REV: 1.0
	2016-03-29	UD-05		UD-02	PAGE: 3-3